

CI/SfB	(29)	(K2)
CAW P10		
Uniclass JP10:L6811		

Product Information

Description

FP170 Intumescent Pipe Collars are designed to maintain the fire resistance of floors and walls when penetrated by combustible pipes. Under fire conditions, the intumescent filler expands to many times its original thickness exerting pressure on the softening pipe and closing the opening with a dense block of fire resistant char. FP170 may additionally be used around insulated combustible pipes or continuously insulated non-combustible pipes. Contact Technical Services for further details.

Usage / Purpose

Fire Classification to EN 13501-2 and CE Mark (ETA 17/0136)

- Flexible Walls (stud partitions) or rigid walls (masonry, concrete) of 100 mm minimum thickness
- Rigid (concrete) floors of 150 mm minimum thickness
- All testing undertaken using uncapped pipes (U/U) with specification applicable to all types of plastic pipe end uses including ventilation pipes
- Mechanical and durability testing to ETAG 026-2; Y2 (internal use within full ambient temperature range inclusive of temperatures less than 0°C)

Available Sizes

Collars are available in 4 sizes to suit the following pipe outside diameters:

- 55 mm
- 82 mm
- 110 mm
- 160 mm

Other sizes available to order.

Packaging

Supplied individually

Availability

Direct from tremco illbruck (see back of leaflet for address and telephone details).

Usage Guidelines

Specifications

Whilst FP170 is intended for internal use. FP170 has been subjected to mechanical and durability testing. The intumescent components are not affected by moisture. The collars are also suitable for use at temperatures below 0°C.

Necessary Tools

Fixing anchors or heavy duty screws, suitable masonry drill, 6.5 mm masonry drill bit, FS702 acrylic sealant to provide smoke seal.

Preparation

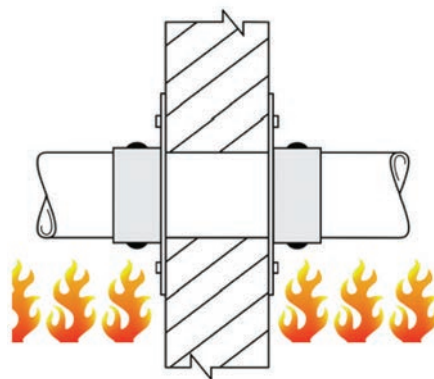
- Read any instructions supplied with collar prior to installation.
- Ensure the collar is the correct size for the pipe intended.
- The face of the wall/floor adjacent to the pipe must be smooth and free from debris to ensure a close fit.

Installation

- Position FP170 Pipe Collar around the pipe, and against the wall/floor.
- Slide the fixing clip into position or secure latch depending on collar type.
- Fix collar into place using non-combustible fixings suitable for substrate.

Wall Penetrations:

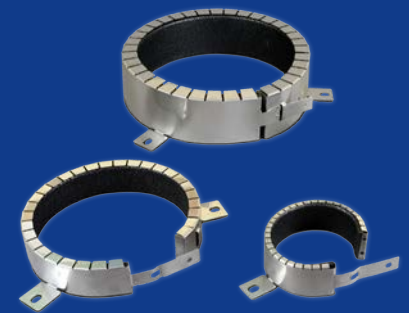
Where the direction of the fire risk is from both sides or is not known, a Pipe Collar should be fixed at both sides of the wall construction:



FPI70

Intumescent Pipe Collars

up to
240
mins



Key Benefits Summary

- Fire Classification to EN 13501-2 and CE Mark (ETA 17/0136)
- Suitable for use with a wide range of plastic, metal and insulated pipes
- Can be used for applications in walls and floors
- Simple to use, one-piece design saves time on site
- Water resistant
- Non-corrosive: inert product

CE
ETA 17/0136



FPI70

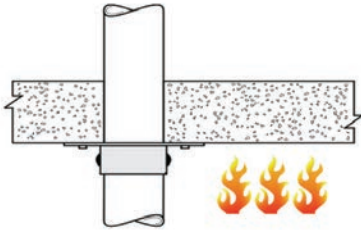
Intumescent Pipe Collars

Nullifire

Smart Protection

Floor Penetrations:

Where the pipe penetrates through a floor construction the Pipe Collar should be fixed to the underside only:



Maintenance

No maintenance required after installation. Routine inspection recommended to ensure no damage.

Storage

Store between +5°C and +40°C in dry conditions. Keep away from sources of ignition.

Shelf Life

Unlimited when stored as recommended.

Health & Safety Precautions

Safety data sheet must be read and understood before use.

Technical Service

tremco illbruck has a team of experienced Technical Sales Representatives who provide assistance in the selection and specification of products. For more detailed information, service and advice, please call Customer Services on 01942 251400.

Guarantee / Warranty

tremco illbruck products are manufactured to rigid standards of quality. Any product which has been applied (a) in accordance with tremco illbruck written instructions and (b) in any application recommended by tremco illbruck, but which is proved to be defective, will be replaced free of charge.

No liability can be accepted for the information provided in this leaflet although it is published in good faith and believed to be correct.

tremco illbruck Limited reserves the right to alter product specifications without prior notice, in line with Company policy of continuous development and improvement.

